

# Fleet Sheet

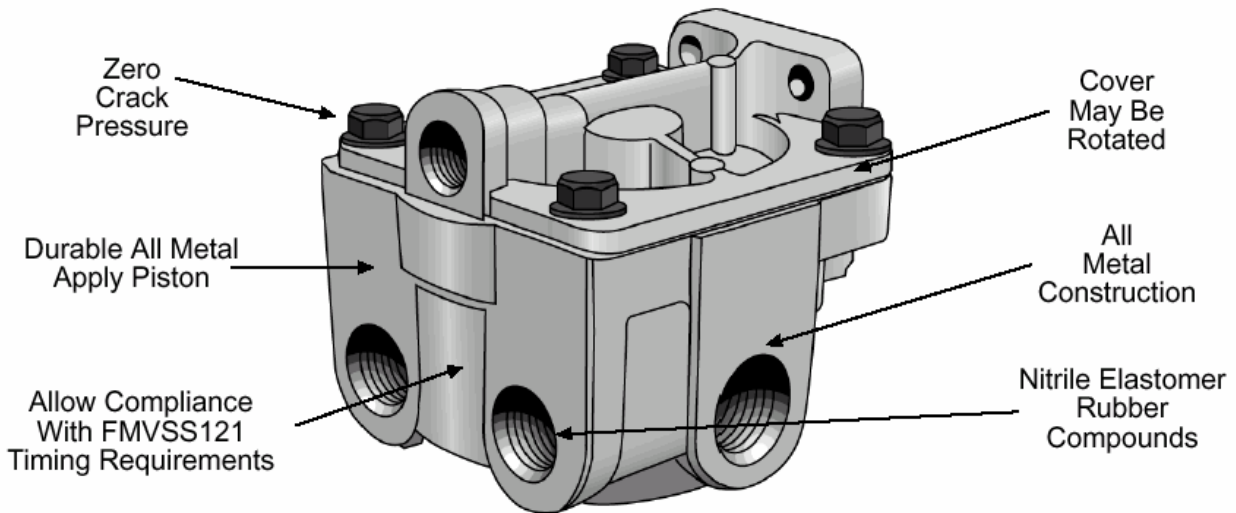
**Haldex**

**Brake Systems**

[www.hbsna.com](http://www.hbsna.com)

## Haldex "FAB" Fast Air Balance Valve

Better Replacement for  
Bendix R8P and R12P or  
Sealco Control Line Valve



### Application Information

1. Any Bendix or Sealco Balance Valve can be interchanged with the Haldex "FAB" Fast Air Balance Valve, with little or no plumbing changes.

#### Special Notes:

FAB Valves are used to "strengthen" the trailer control signal (blue gladhand). It is commonly found on dollies and trailers used to tow other trailers.

### Competitive Advantages

- ✓ Durable All Metal Apply Piston  
*Advantage Haldex: Proven long life design = less maintenance.*
- ✓ Zero Crack Pressure  
*Advantage Haldex: Assures control signal pressure is amplified properly, thereby reducing brake wear, with no application delay.*
- ✓ All Metal Construction  
*Advantage Haldex: Zinc dichromate coating resists corrosion.*
- ✓ Cover May Be Rotated  
*Advantage Haldex: Allows one part number to fit a variety of applications, thereby reducing inventories.*
- ✓ Nitrile Elastomer Rubber O-Rings and Seals  
*Advantage Haldex: Provides for longer life expectancy. Also withstands wide temperature extremes.*
- ✓ Compliance With FMVSS121 Timing Requirements  
*Advantage Haldex: Also used to balance combinations, reducing brake wear, making combinations safer to operate.*

# Fleet Sheet

**Haldex**

**Brake Systems**

www.hbsna.com

## Haldex "FAB" Fast Air Balance Valve

### Cross-Reference Information

The Haldex "FAB" Fast Air Balance Valve will directly replace:

- ❖ Bendix R8P
- ❖ Bendix R12P
- ❖ Sealco Control Line Valve

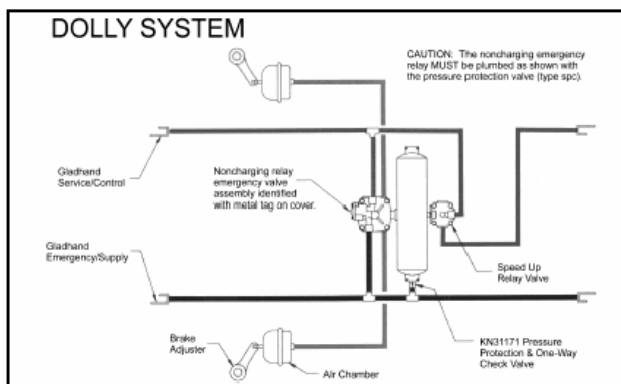
### Related Items Checklist

- ◆ Rubber Air Hose
- ◆ Nylon Air Tubing
- ◆ Fittings
- ◆ Gladhand Screens
- ◆ Inline Filters
- ◆ Quick Release Gladhand
- ◆ Thread Sealant
- ◆ Air Tanks

### Competitor Overview

- 1) R8P
  - a) Outdated design.

### DOLLY SYSTEM



### Interchange/Upgrade Programs

Functionally interchangeable competitive cores can be returned against a Midland remanufactured valve.

### Available Literature

### Warranty

One year or 100,000 miles from date of installation.

### Installation Advisories

- ✓ Clear or "blow out" all air lines prior to assembly to reduce contamination.
- ✓ Do not use thread tape.
- ✓ When replacing relay valves, always assure proper crack pressure.
- ✓ Use brass (or brass plated) hose fittings.
- ✓ Tighten fittings finger tight, then 1 1/2 to 2 turns.