



THE HALDEX
3-WAY PILOT VALVE



3-WAY PILOT VALVE IS A VERSATILE VALVE THAT CAN BE USED WITH TRUCK/TRACTOR AND TRAILER AIR SUSPENSION SYSTEMS, MANUAL AND AUTO DUMP SYSTEMS AND AS A LIFT AXLE AIR CONTROL VALVE

FEATURES AND BENEFITS

- fi Simple installation for normally open or normally closed operation allows one part number to be used in many applications. This flexibility reduces inventory and insures the correct parts are in stock.
- fi Nitrile diaphragms for all-weather operation (-40 to 200P F), and a beaded diaphragm lobe to eliminate air leaks found in many competitive valves.
- fi Robust zinc casting with integral mounting flange and di-chromate coating makes the valve highly resistant to damage and corrosion.
- fi Small size and optional push-in fittings make installation easy.
- fi Competitively priced and interchangeable with other brand valves.



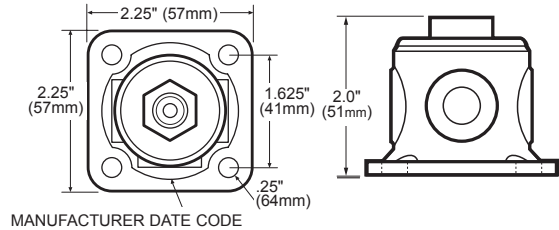
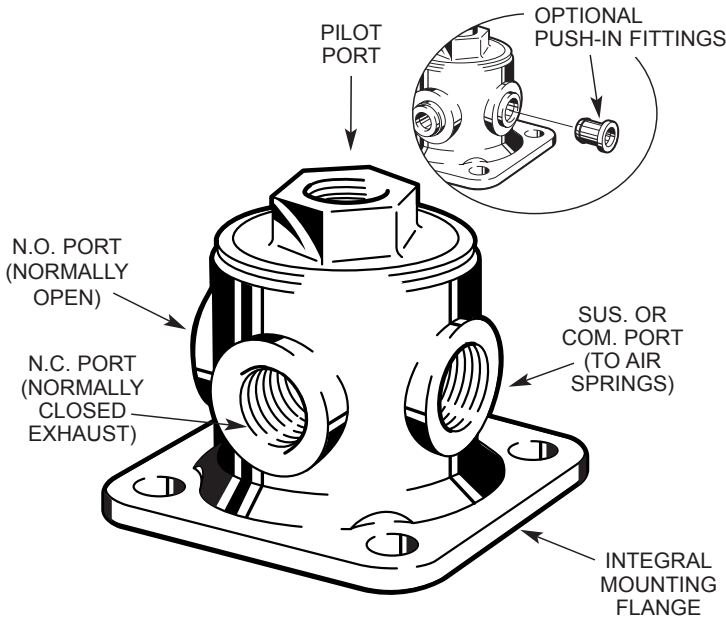
PILOT VALVE Haldex

**THE HALDEX
3-WAY PILOT VALVE**

AVAILABLE OPTIONS

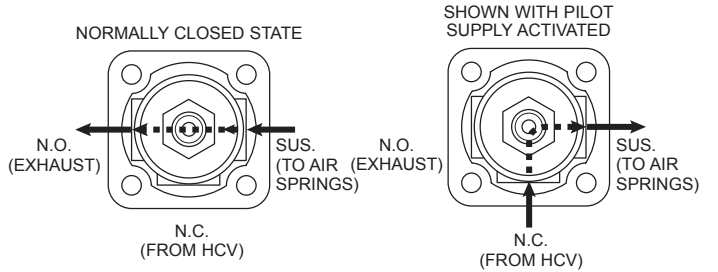
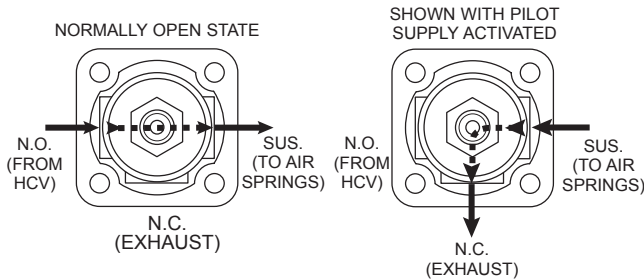
PART NO.	PORT SIZES	PILOT PORT
90554614	M12-1.5	M10-1.0
90554615	1/4" NPT	1/8" NPT
90554616	1/4" TUBE PUSH IN	
90554977	3/8" PTC	1/4" PTC

WARNING: 3-WAY PILOT VALVE IS NOT INTENDED FOR USE IN BRAKE SYSTEMS.



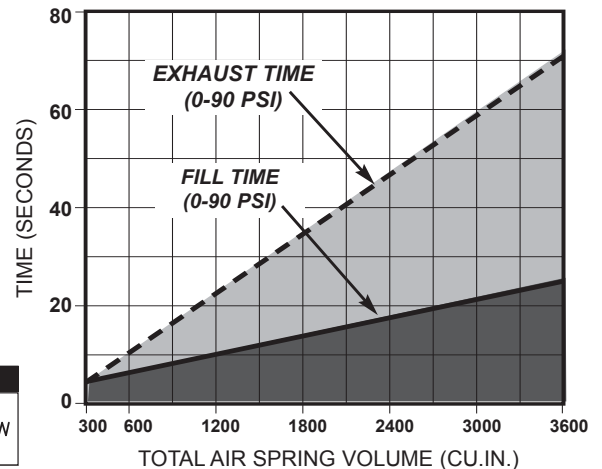
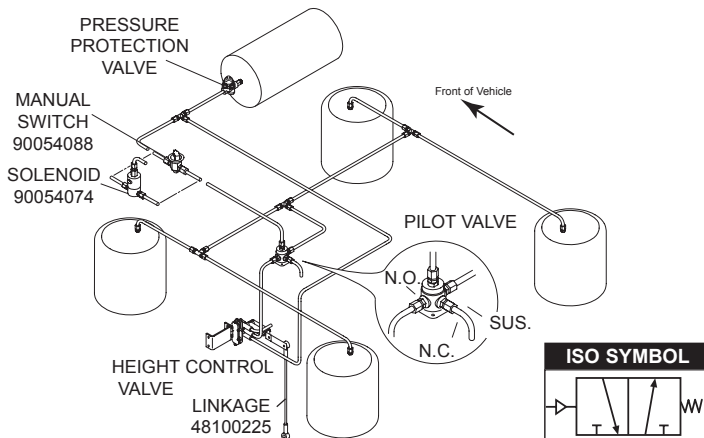
NORMALLY OPEN INSTALLATION

NORMALLY CLOSED INSTALLATION



TYPICAL PIPING DIAGRAM WITH PILOT VALVE

PILOT VALVE FLOW RATES



Haldex Commercial Vehicle Systems
North American Sales Division
Haldex Brake Products Corporation
 10707 NW Airworld Drive
 Kansas City, MO 64153-1215
 Phone: 816-891-2470
 Fax: 816-880-9766

North American Sales Division
Haldex Limited
 525 Southgate Drive, Unit 1
 Guelph, Ontario CAN N1G 3W6
 Phone: 519-826-7723
 Fax: 519-826-9497