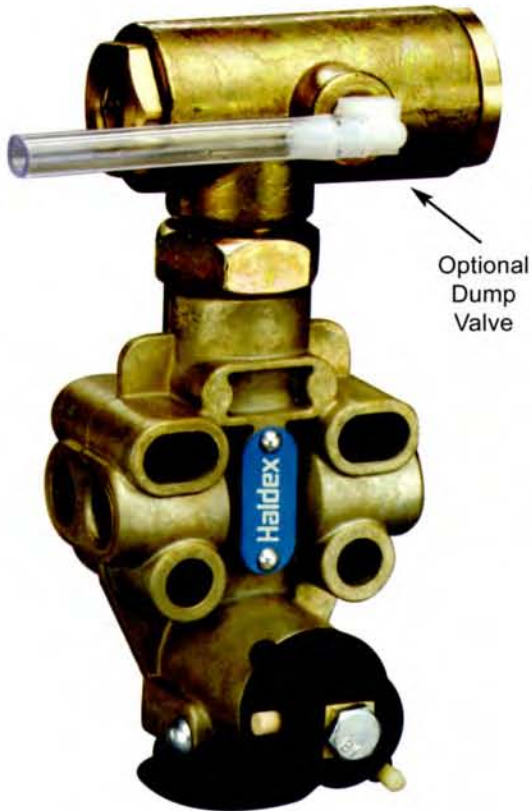




THE HALDEX
TYPE IR
IMMEDIATE
RESPONSE HEIGHT
CONTROL VALVE



Haldex

THE TYPE IR VALVE MAINTAINS THE DESIRED CHASSIS POSITION WITHOUT DELAY FOR ANY TRUCK, TRAILER OR INDUSTRIAL APPLICATION

FEATURES AND BENEFITS

- ▶ With the ability to be mounted universally, right or left hand and horizontally or vertically, this Haldex valve is a direct replacement for other height control valves.
- ▶ All parts are corrosion resistant, including zinc diecast body and stainless steel and plastic internal components.
- ▶ Available in either 1/4" NPT or metric thread sizes.
- ▶ Direct aftermarket replacement for OEM installations in heavy duty vocational applications.

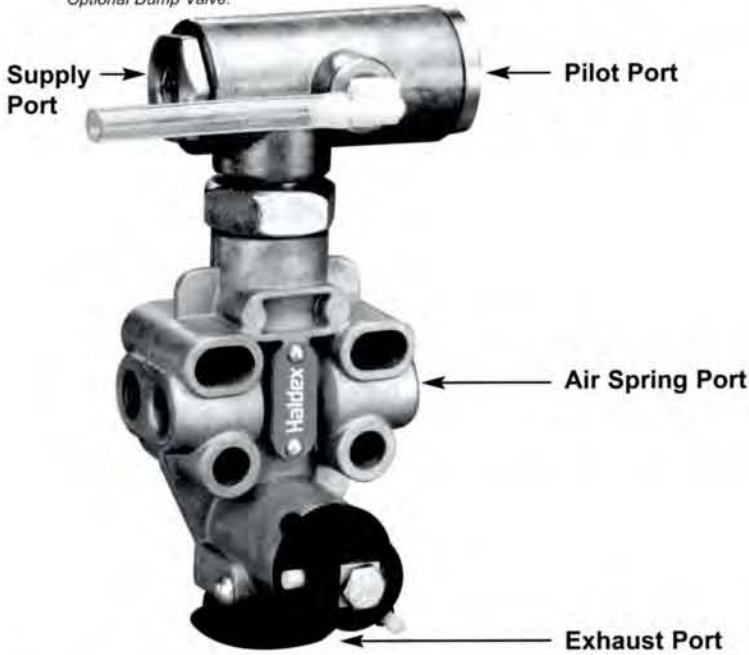
Patent Numbers: 5,335,695, (Dump Valve) 5,333,645



TYPE IR VALVE

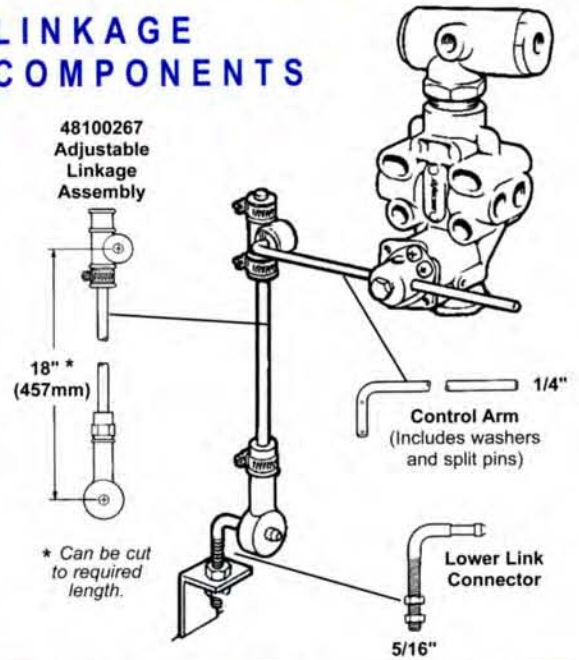
PRODUCT SPECIFICATIONS

Valve shown with
Optional Dump Valve.

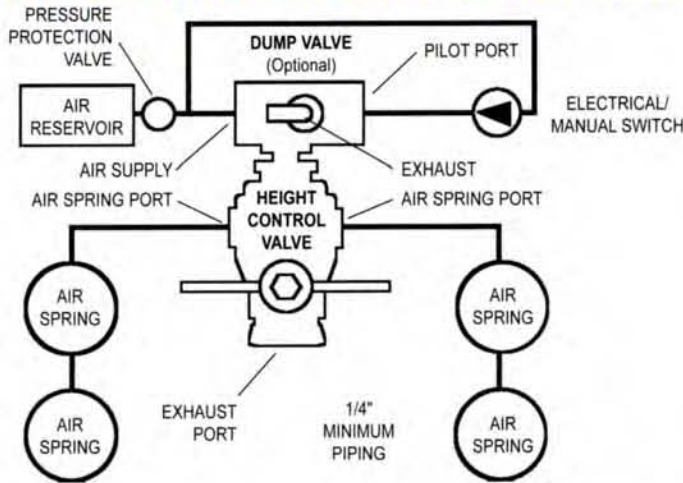


THE HALDEX
TYPE IR
IMMEDIATE
RESPONSE HEIGHT
CONTROL VALVE

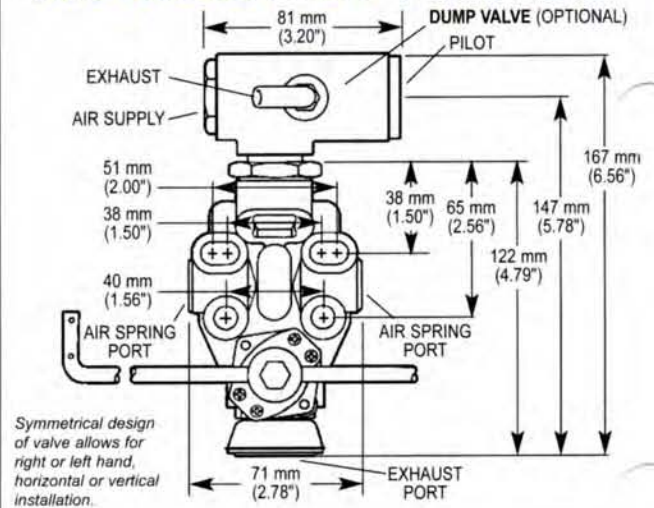
LINKAGE COMPONENTS



AIR CONTROL PIPING DETAIL



INSTALLATION DIAGRAM



AVAILABLE OPTIONS

PART NUMBER	PORT FITTING SIZE	FLOW RATE	DUMP VALVE
90554241	1/4" NPT	10 SCFM	-
90554243 (mm)	12mm X 1.5	.0283 SCMM	-
90554271	1/4" NPT	10 SCFM	YES
90554273 (mm)	12mm X 1.5	.0283 SCMM	YES

These parts are individually packaged for aftermarket stocking and replacement.



Haldex Commercial Vehicle Systems
North American Sales Division
Haldex Brake Products Corporation

10707 NW Airworld Drive
Kansas City, MO 64153-1215
Phone: 816-891-2470
Fax: 816-880-9766

North American Sales Division
Haldex Limited

525 Southgate Drive, Unit 1
Guelph, Ontario CAN N1G 3W6
Phone: 519-826-7723
Fax: 519-826-9497